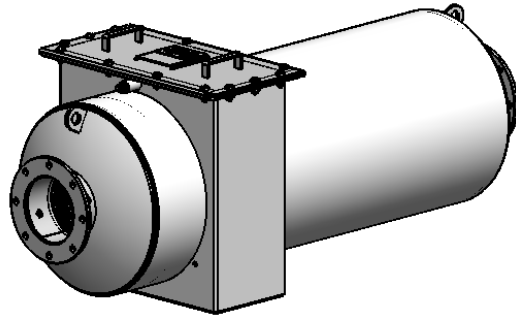
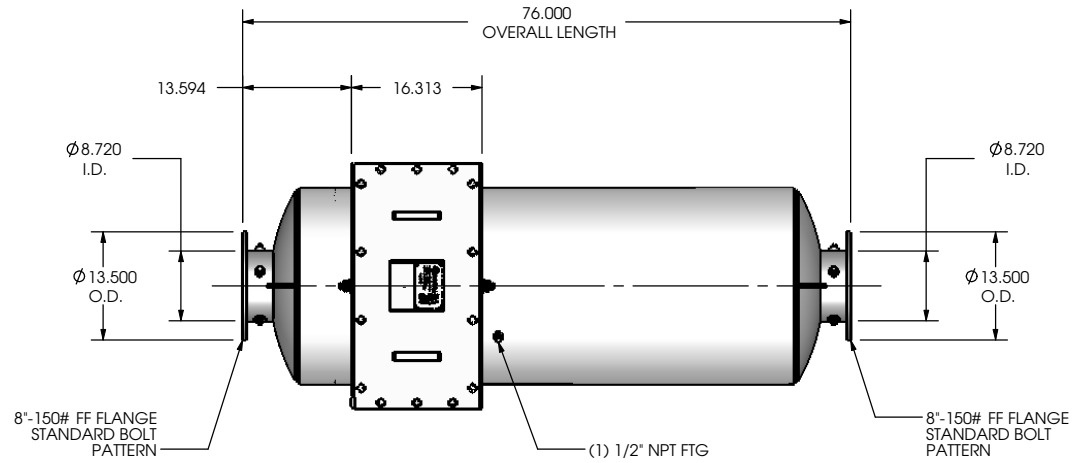


The PRx is the EmeraChem version of the Powerhouse catalyst housing. It is offered in the same sizes as the Powerhouse but with the superior EmeraChem catalyst sealing mechanism. The PRx has silencing but is sub-critical grade and has no noise attenuation guarantee. The PRx uses the standard EmeraChem housing gasket. The PRx is offered only in CS.

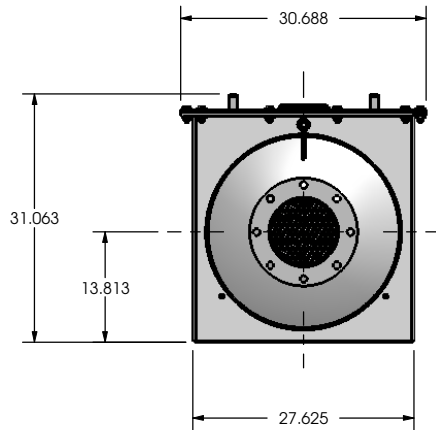
<u>PAGE</u>	<u>PART NUMBER</u>	<u>ELEMENTS</u>	<u>FLANGE DIAMETER</u>	<u>OVERALL LENGTH</u>	<u>DIAMETER</u>	<u>WEIGHT</u>
2	PRX-2350-08-C-XX	2	8"	76"	30.688"	575 lbs.
3	PRX-2350-10-C-XX	2	10"	76"	30.688"	600 lbs.
4	PRX-2650-10-C-XX	2	10"	87"	33.688"	743 lbs.
5	PRX-2650-12-C-XX	2	12"	87"	33.688"	769 lbs.
6	PRX-2650-14-C-XX	2	14"	87"	33.688"	782 lbs.
7	PRX-2850-10-C-XX	2	10"	87"	35.688"	807 lbs.
8	PRX-2850-12-C-XX	2	12"	87"	35.688"	830 lbs.
9	PRX-2850-14-C-XX	2	14"	87"	35.688"	844 lbs.
10	PRX-3025-10-C-XX	2	10"	87"	37.438"	864 lbs.
11	PRX-3025-12-C-XX	2	12"	87"	37.438"	888 lbs.
12	PRX-3025-14-C-XX	2	14"	87"	37.438"	901 lbs.
13	PRX-3025-16-C-XX	2	16"	87"	37.438"	929 lbs.
14	PRX-3350-14-C-XX	2	14"	110"	40.688"	1104 lbs.
15	PRX-3350-16-C-XX	2	16"	110"	40.688"	1132 lbs.



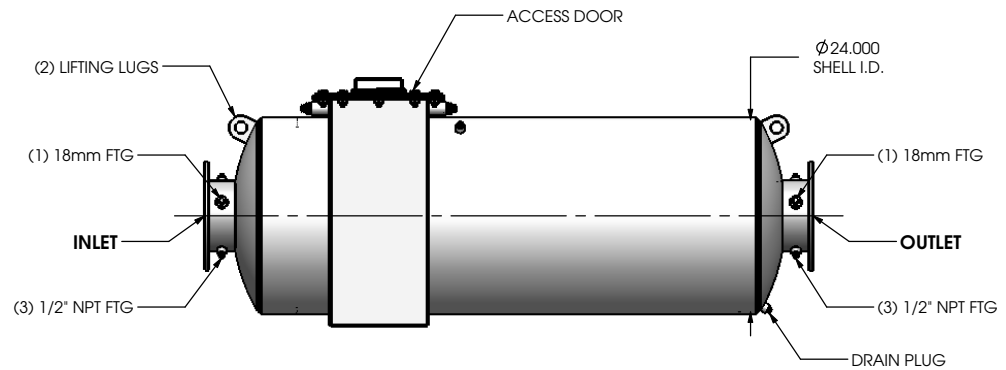
DIMETRIC VIEW



TOP VIEW



FRONT VIEW



RIGHT VIEW

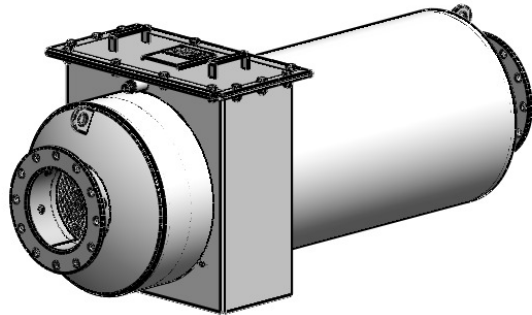
NOTES:

- WEIGHT IS APPROXIMATE WITH (2) ELEMENTS
- THIS EQUIPMENT SHALL BE SUPPORTED SUCH THAT NO MOMENTS OR FORCES ARE ON THE INLET AND OUTLET FLANGES

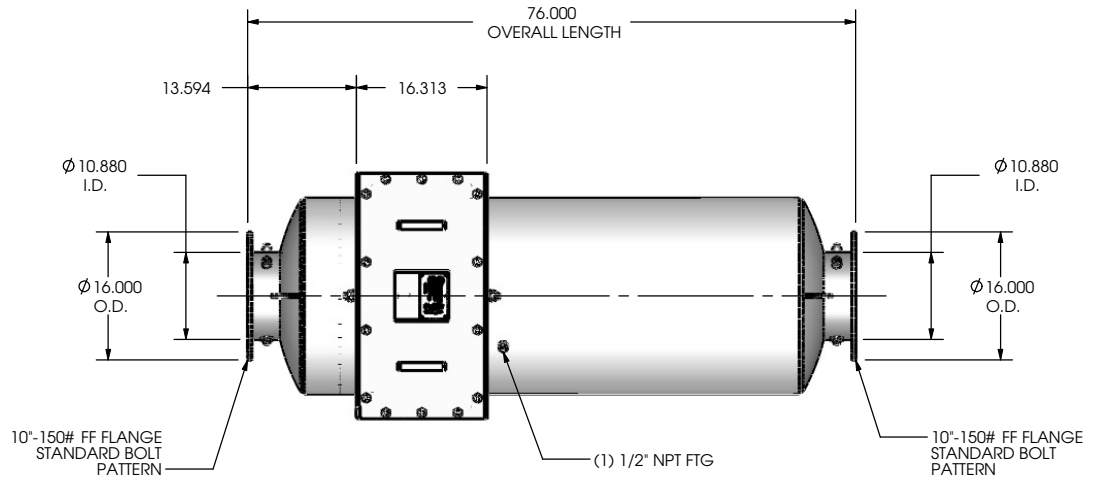
DRAWN	JU	DATE	10/19/2011
ENGINEER	-	DATE	-
APPROVED	-	DATE	-

PROPRIETARY AND CONFIDENTIAL
 THIS DRAWING CONTAINS PROPRIETARY INFORMATION WHICH IS TO BE HELD CONFIDENTIAL AND MAY NOT BE REPRODUCED OR DISCLOSED TO OTHERS WITHOUT THE PRIOR WRITTEN CONSENT OF EMERACHEM OR A DULY AUTHORIZED REPRESENTATIVE THEREOF.

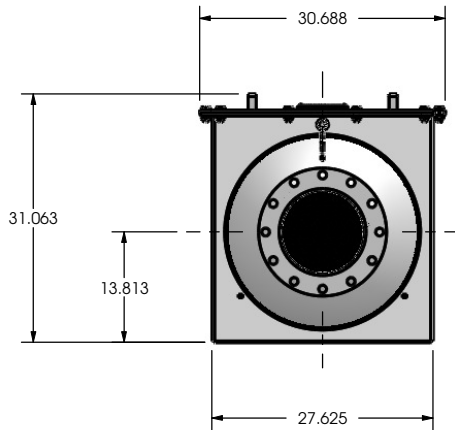
DRAWING	PRX-2350-08-C-XX SD	REV	0
PRX-2350-08-C-XX SALES DRAWING			
WEIGHT: 575 lb APPROX.	SCALE 1:24	SHEET 1 OF 1	



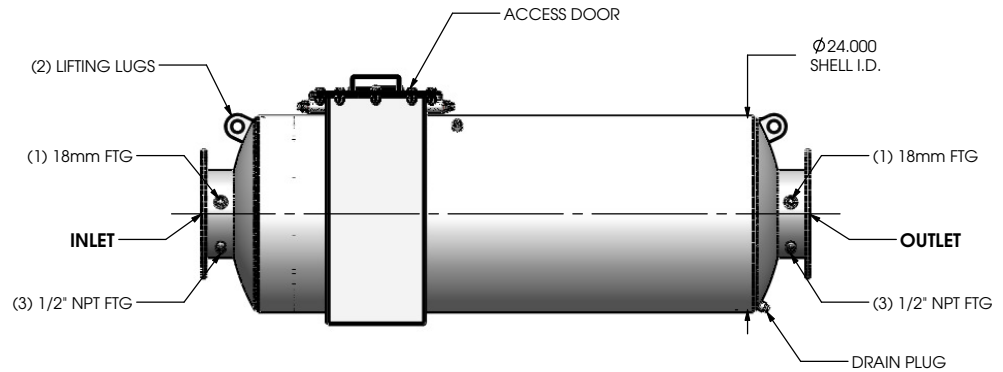
DIMETRIC VIEW



TOP VIEW



FRONT VIEW



RIGHT VIEW

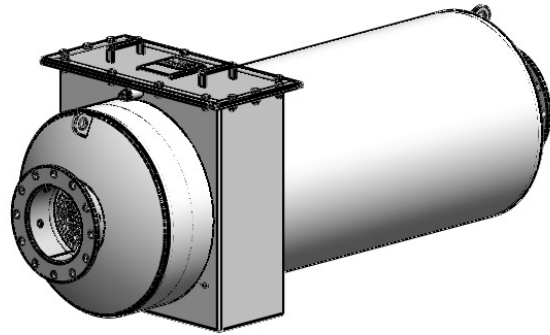
NOTES:

- WEIGHT IS APPROXIMATE WITH (2) ELEMENTS
- THIS EQUIPMENT SHALL BE SUPPORTED SUCH THAT NO MOMENTS OR FORCES ARE ON THE INLET AND OUTLET FLANGES

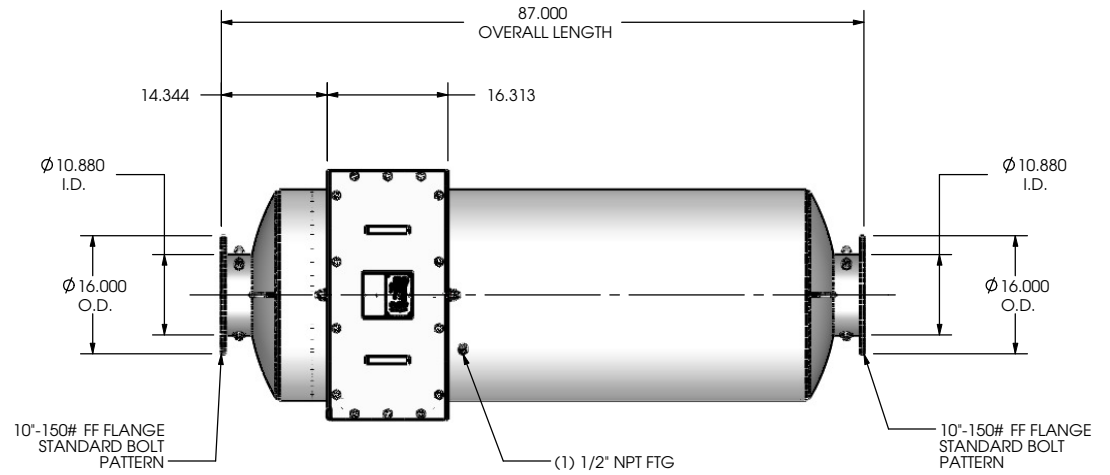
DRAWN	JU	DATE	10/19/2011
ENGINEER	-	DATE	-
APPROVED	-	DATE	-

PROPRIETARY AND CONFIDENTIAL
 THIS DRAWING CONTAINS PROPRIETARY INFORMATION WHICH IS TO BE HELD CONFIDENTIAL AND MAY NOT BE REPRODUCED OR DISCLOSED TO OTHERS WITHOUT THE PRIOR WRITTEN CONSENT OF EMERACHEM OR A DULY AUTHORIZED REPRESENTATIVE THEREOF.

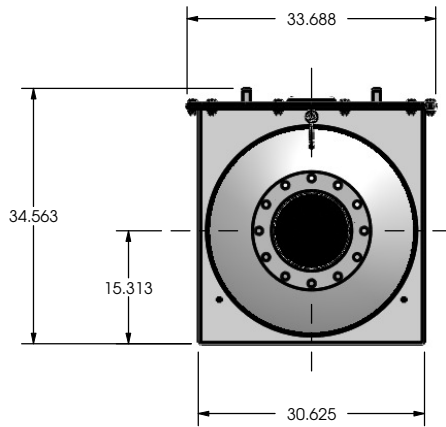
DRAWING	PRX-2350-10-C-XX SD	REV	0
PRX-2350-10-C-XX SALES DRAWING			
WEIGHT: 600 lb APPROX.	SCALE 1:24	SHEET 1 OF 1	



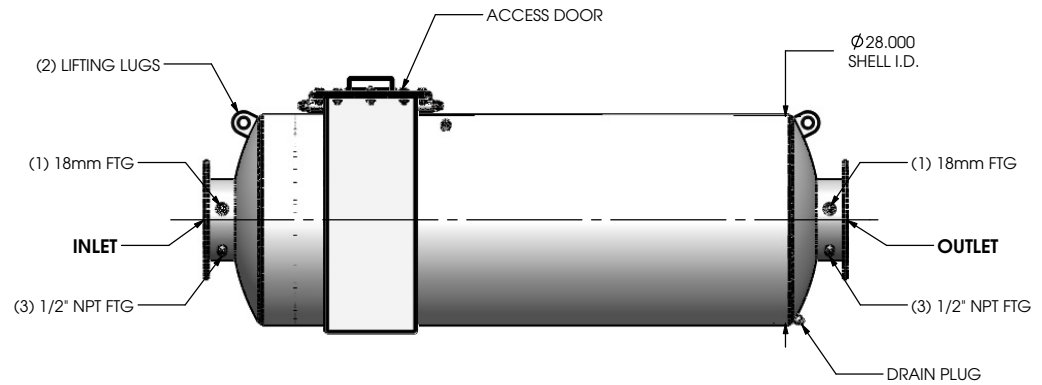
DIMETRIC VIEW



TOP VIEW



FRONT VIEW



RIGHT VIEW

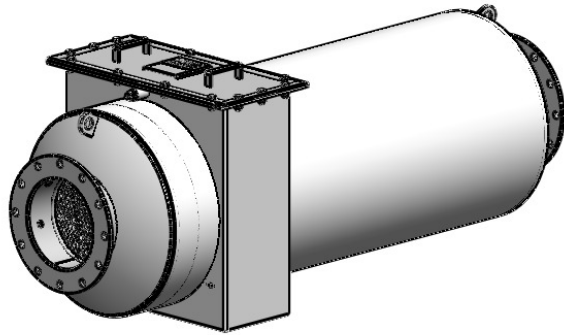
NOTES:

- WEIGHT IS APPROXIMATE WITH (2) ELEMENTS
- THIS EQUIPMENT SHALL BE SUPPORTED SUCH THAT NO MOMENTS OR FORCES ARE ON THE INLET AND OUTLET FLANGES

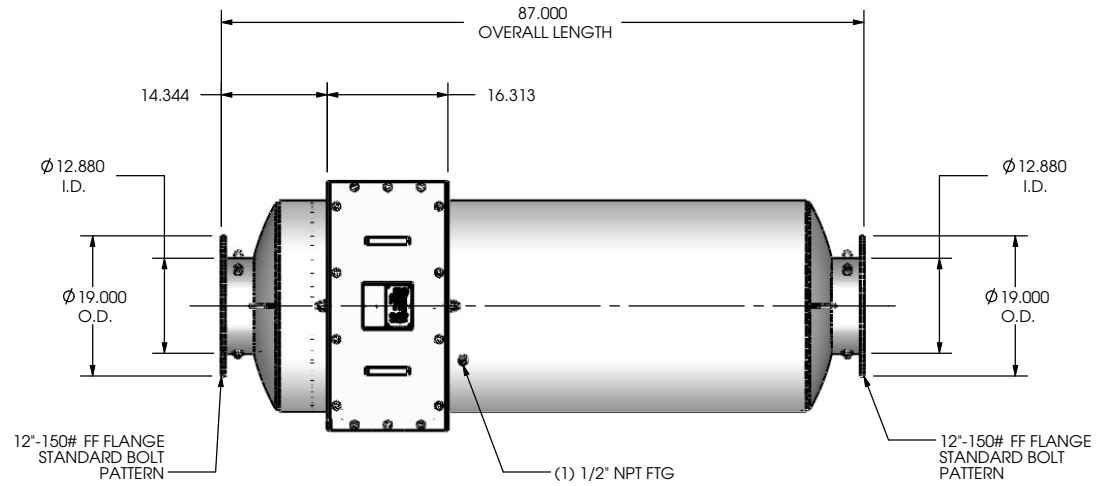
DRAWN	JU	DATE	10/19/2011
ENGINEER	-	DATE	-
APPROVED	-	DATE	-

PROPRIETARY AND CONFIDENTIAL
 THIS DRAWING CONTAINS PROPRIETARY INFORMATION WHICH IS TO BE HELD CONFIDENTIAL AND MAY NOT BE REPRODUCED OR DISCLOSED TO OTHERS WITHOUT THE PRIOR WRITTEN CONSENT OF EMERACHEM OR A DULY AUTHORIZED REPRESENTATIVE THEREOF.

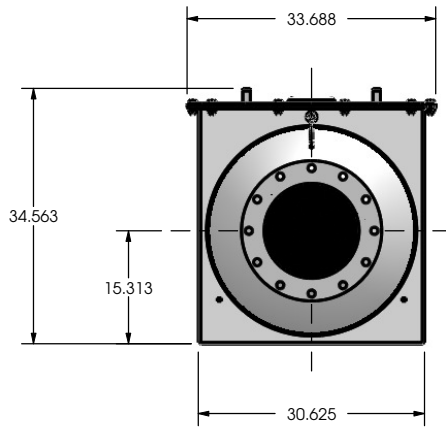
DRAWING	PRX-2650-10-C-XX SD	REV	0
PRX-2650-10-C-XX SALES DRAWING			
WEIGHT: 743 lb APPROX.	SCALE 1:26	SHEET 1 OF 1	



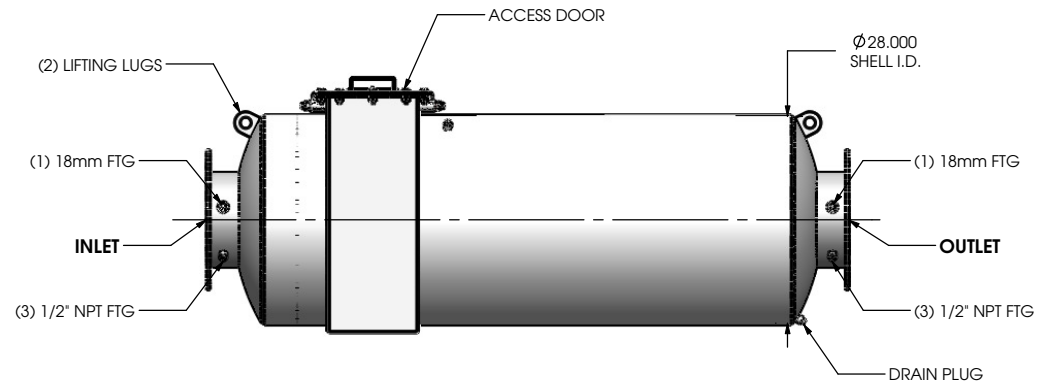
DIMETRIC VIEW



TOP VIEW



FRONT VIEW




RIGHT VIEW

NOTES:

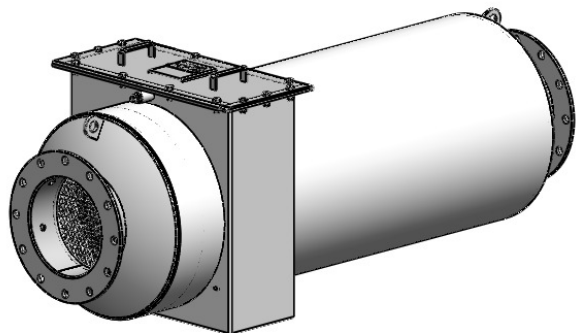
- WEIGHT IS APPROXIMATE WITH (2) ELEMENTS
- THIS EQUIPMENT SHALL BE SUPPORTED SUCH THAT NO MOMENTS OR FORCES ARE ON THE INLET AND OUTLET FLANGES

DRAWN	JU	DATE	10/19/2011
ENGINEER	-	DATE	-
APPROVED	-	DATE	-

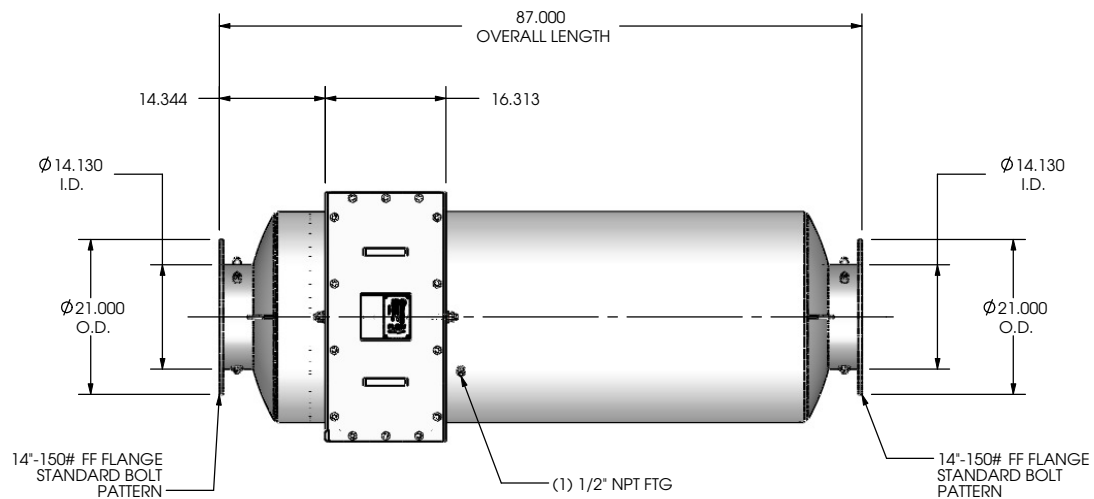
PROPRIETARY AND CONFIDENTIAL
 THIS DRAWING CONTAINS PROPRIETARY INFORMATION WHICH IS TO BE HELD CONFIDENTIAL AND MAY NOT BE REPRODUCED OR DISCLOSED TO OTHERS WITHOUT THE PRIOR WRITTEN CONSENT OF EMERACHEM OR A DULY AUTHORIZED REPRESENTATIVE THEREOF.



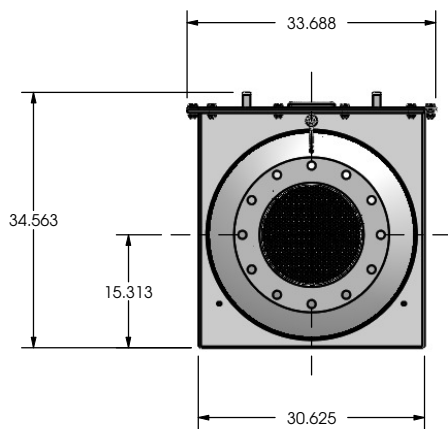
DRAWING	PRX-2650-12-C-XX SD	REV	0
PRX-2650-12-C-XX SALES DRAWING			
WEIGHT: 769 lb APPROX.	SCALE 1:26	SHEET 1 OF 1	



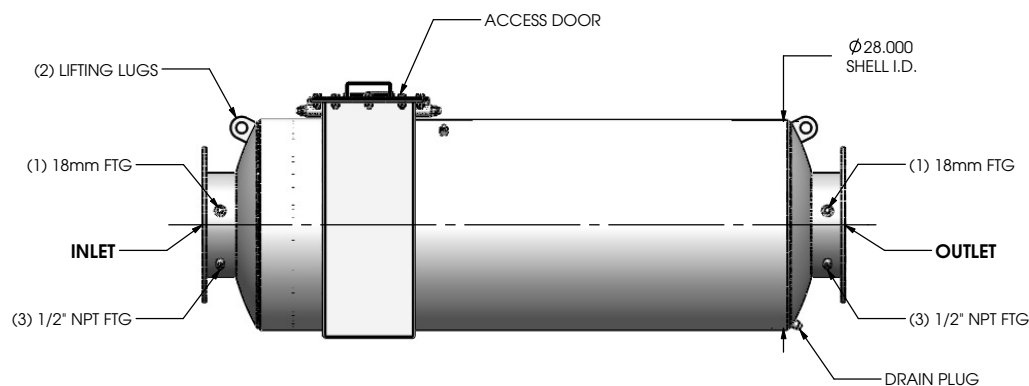
DIMETRIC VIEW



TOP VIEW



FRONT VIEW



RIGHT VIEW

NOTES:

- WEIGHT IS APPROXIMATE WITH (2) ELEMENTS
- THIS EQUIPMENT SHALL BE SUPPORTED SUCH THAT NO MOMENTS OR FORCES ARE ON THE INLET AND OUTLET FLANGES

DRAWN	JU	DATE	10/19/2011
ENGINEER	-	DATE	-
APPROVED	-	DATE	-

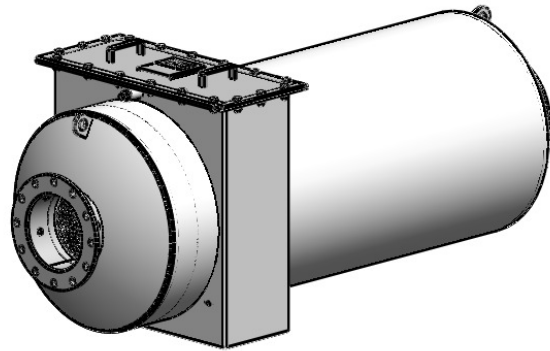
PROPRIETARY AND CONFIDENTIAL
 THIS DRAWING CONTAINS PROPRIETARY INFORMATION WHICH IS TO BE HELD CONFIDENTIAL AND MAY NOT BE REPRODUCED OR DISCLOSED TO OTHERS WITHOUT THE PRIOR WRITTEN CONSENT OF EMERACHEM OR A DULY AUTHORIZED REPRESENTATIVE THEREOF.

e^c EmeraChem™

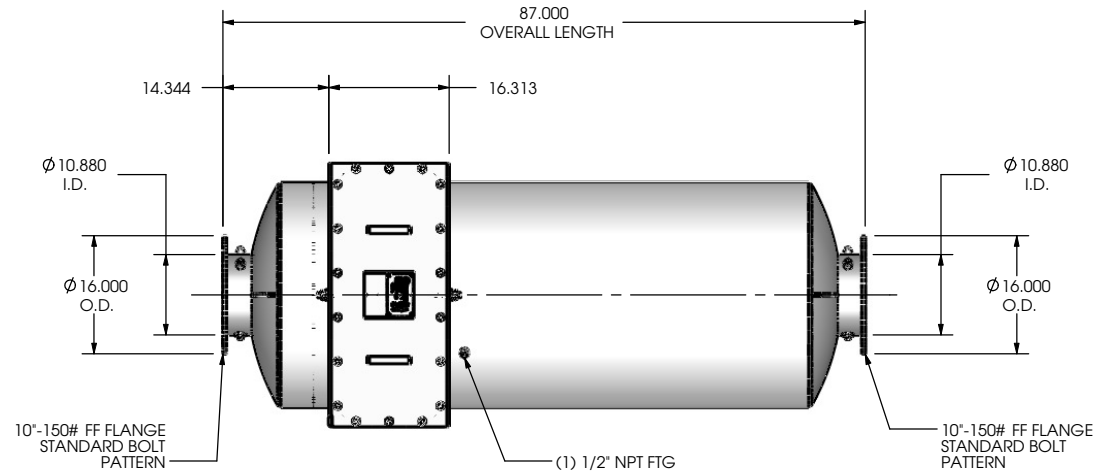
DRAWING PRX-2650-14-C-XX SD | REV **0**

PRX-2650-14-C-XX SALES DRAWING

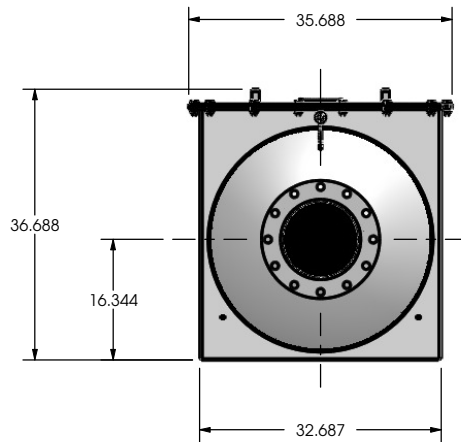
WEIGHT: 782 lb APPROX. | SCALE 1:26 | SHEET 1 OF 1



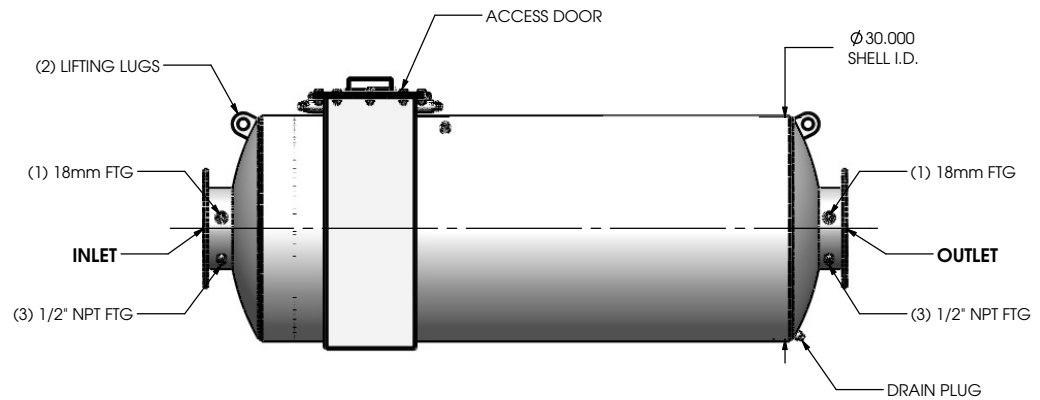
DIMETRIC VIEW



TOP VIEW



FRONT VIEW



RIGHT VIEW


NOTES:

- WEIGHT IS APPROXIMATE WITH (2) ELEMENTS
- THIS EQUIPMENT SHALL BE SUPPORTED SUCH THAT NO MOMENTS OR FORCES ARE ON THE INLET AND OUTLET FLANGES

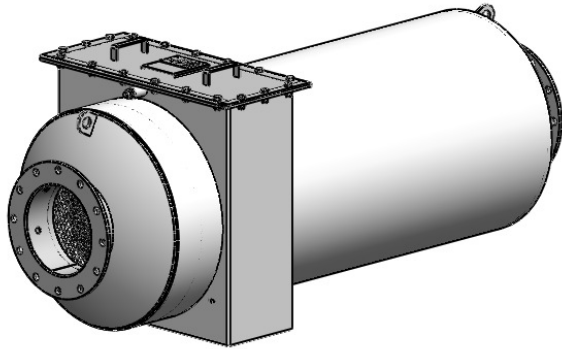
DRAWN	JU	DATE	10/19/2011
ENGINEER	-	DATE	-
APPROVED	-	DATE	-

PROPRIETARY AND CONFIDENTIAL

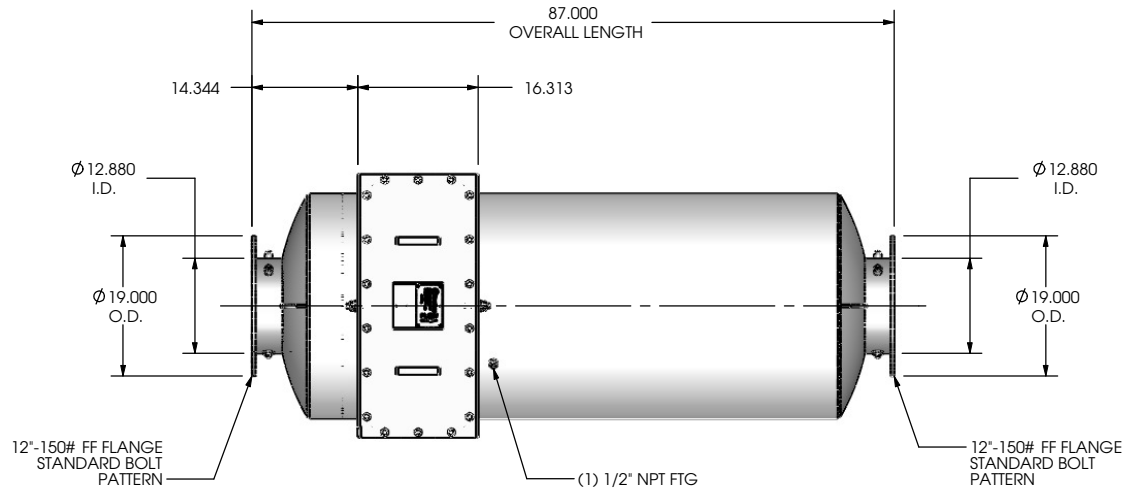
THIS DRAWING CONTAINS PROPRIETARY INFORMATION WHICH IS TO BE HELD CONFIDENTIAL AND MAY NOT BE REPRODUCED OR DISCLOSED TO OTHERS WITHOUT THE PRIOR WRITTEN CONSENT OF EMERACHEM OR A DULY AUTHORIZED REPRESENTATIVE THEREOF.



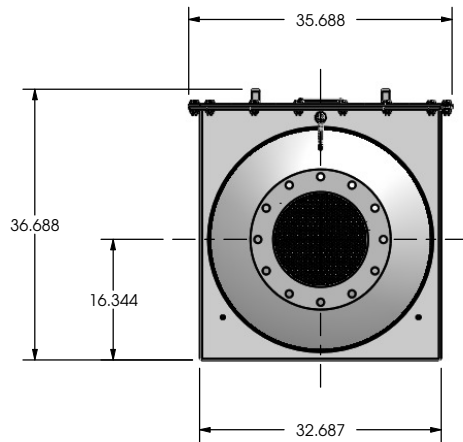
DRAWING PRX-2850-10-C-XX SD		REV 0
PRX-2850-10-C-XX SALES DRAWING		
WEIGHT: 807 lb APPROX.	SCALE 1:26	SHEET 1 OF 1



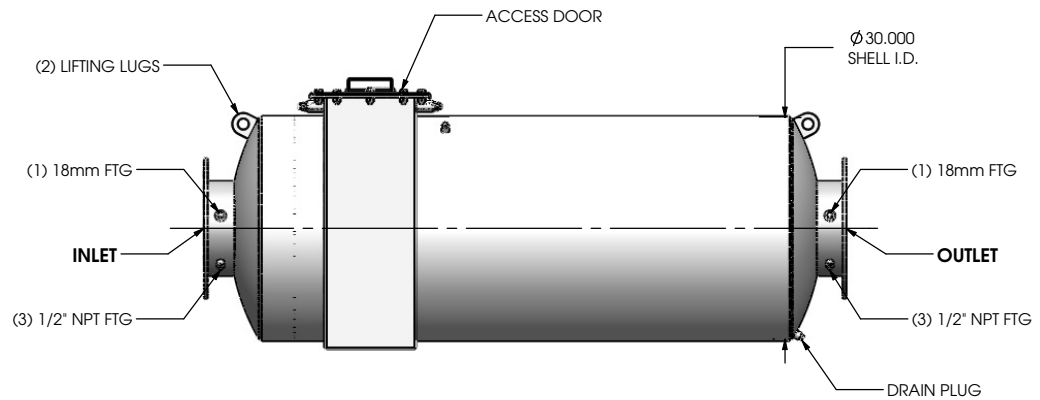
DIMETRIC VIEW



TOP VIEW



FRONT VIEW



RIGHT VIEW


NOTES:

- WEIGHT IS APPROXIMATE WITH (2) ELEMENTS
- THIS EQUIPMENT SHALL BE SUPPORTED SUCH THAT NO MOMENTS OR FORCES ARE ON THE INLET AND OUTLET FLANGES

DRAWN	JU	DATE	10/19/2011
ENGINEER	-	DATE	-
APPROVED	-	DATE	-

PROPRIETARY AND CONFIDENTIAL

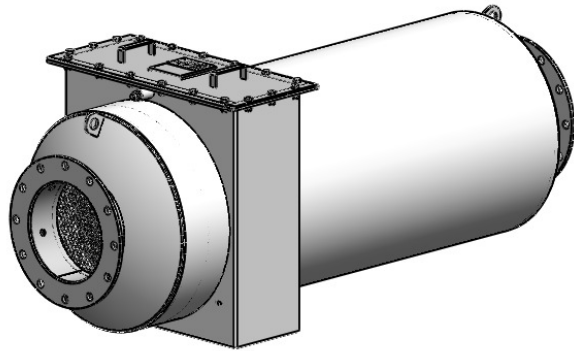
THIS DRAWING CONTAINS PROPRIETARY INFORMATION WHICH IS TO BE HELD CONFIDENTIAL AND MAY NOT BE REPRODUCED OR DISCLOSED TO OTHERS WITHOUT THE PRIOR WRITTEN CONSENT OF EMERACHEM OR A DULY AUTHORIZED REPRESENTATIVE THEREOF.



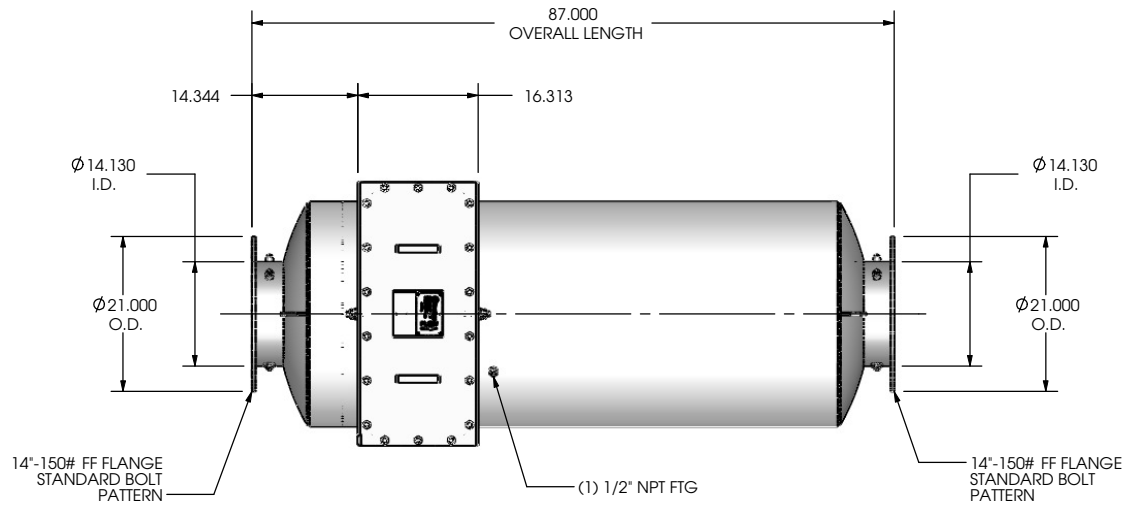
DRAWING PRX-2850-12-C-XX SD | REV **0**

**PRX-2850-12-C-XX
SALES DRAWING**

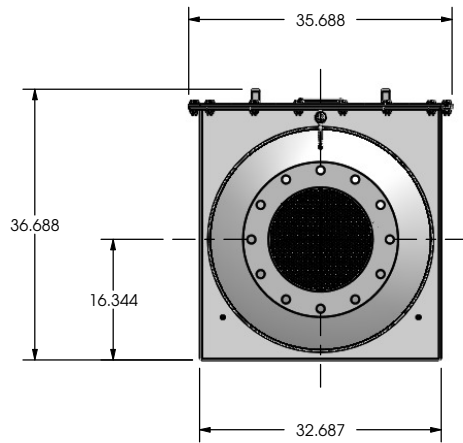
WEIGHT: 830 lb APPROX. | SCALE 1:26 | SHEET 1 OF 1



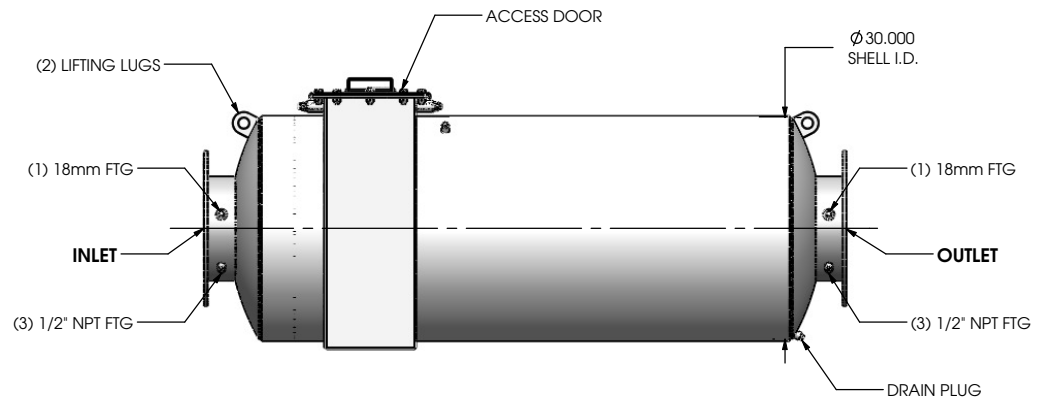
DIMETRIC VIEW



TOP VIEW



FRONT VIEW




RIGHT VIEW

NOTES:

- WEIGHT IS APPROXIMATE WITH (2) ELEMENTS
- THIS EQUIPMENT SHALL BE SUPPORTED SUCH THAT NO MOMENTS OR FORCES ARE ON THE INLET AND OUTLET FLANGES

DRAWN	JU	DATE	10/19/2011
ENGINEER	-	DATE	-
APPROVED	-	DATE	-

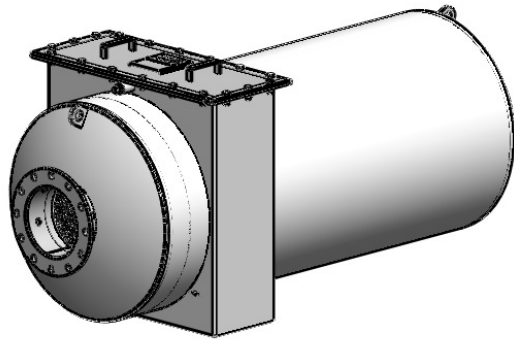
PROPRIETARY AND CONFIDENTIAL
 THIS DRAWING CONTAINS PROPRIETARY INFORMATION WHICH IS TO BE HELD CONFIDENTIAL AND MAY NOT BE REPRODUCED OR DISCLOSED TO OTHERS WITHOUT THE PRIOR WRITTEN CONSENT OF EMERACHEM OR A DULY AUTHORIZED REPRESENTATIVE THEREOF.



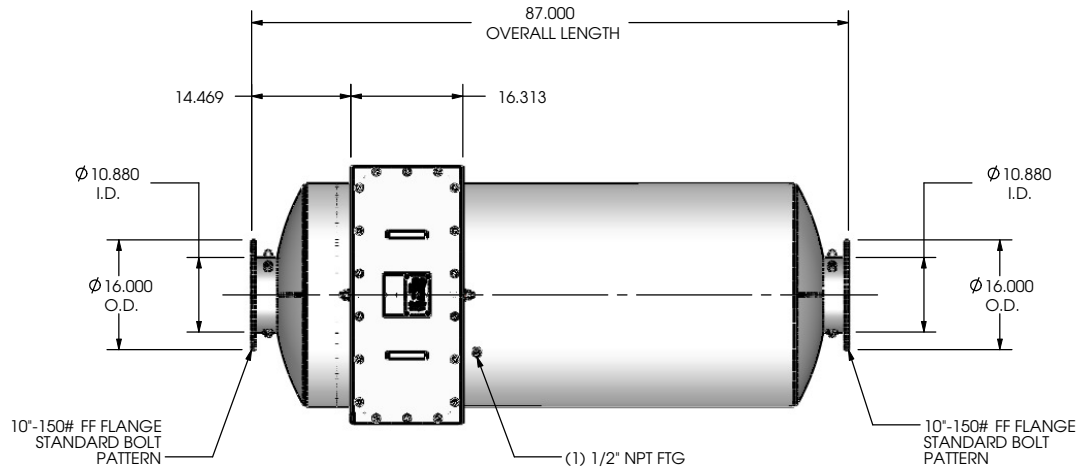
DRAWING PRX-2850-14-C-XX SD REV **0**

PRX-2850-14-C-XX SALES DRAWING

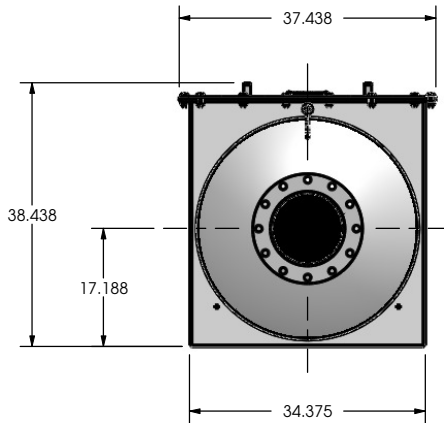
WEIGHT: 844 lb APPROX. SCALE 1:26 SHEET 1 OF 1



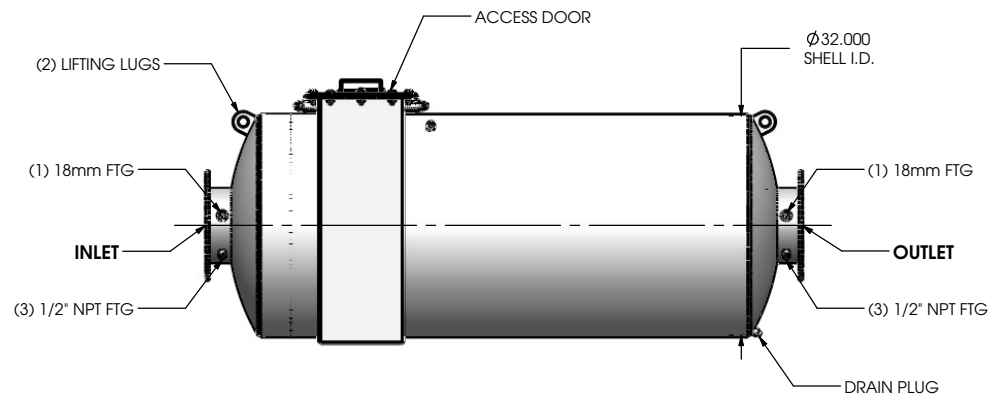
DIMETRIC VIEW



TOP VIEW



FRONT VIEW




RIGHT VIEW

NOTES:

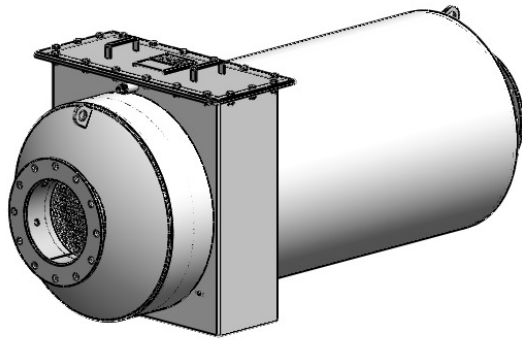
- WEIGHT IS APPROXIMATE WITH (2) ELEMENTS
- THIS EQUIPMENT SHALL BE SUPPORTED SUCH THAT NO MOMENTS OR FORCES ARE ON THE INLET AND OUTLET FLANGES

DRAWN	JU	DATE	10/19/2011
ENGINEER	-	DATE	-
APPROVED	-	DATE	-

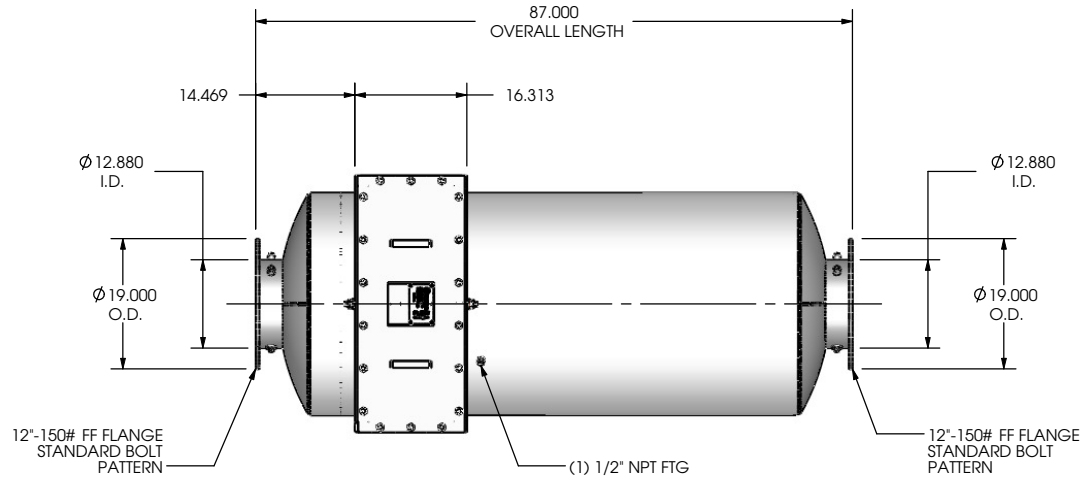
PROPRIETARY AND CONFIDENTIAL
 THIS DRAWING CONTAINS PROPRIETARY INFORMATION WHICH IS TO BE HELD CONFIDENTIAL AND MAY NOT BE REPRODUCED OR DISCLOSED TO OTHERS WITHOUT THE PRIOR WRITTEN CONSENT OF EMERACHEM OR A DULY AUTHORIZED REPRESENTATIVE THEREOF.



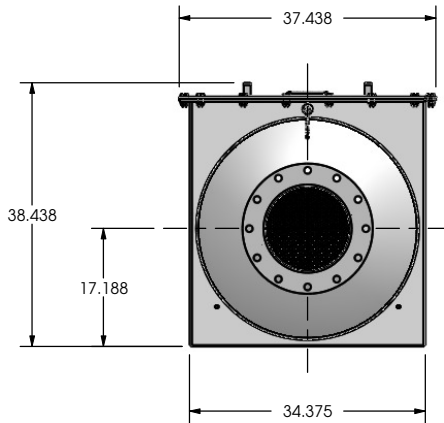
DRAWING PRX-3025-10-C-XX SD		REV 0
PRX-3025-10-C-XX SALES DRAWING		
WEIGHT: 864 lb APPROX.	SCALE 1:28	SHEET 1 OF 1



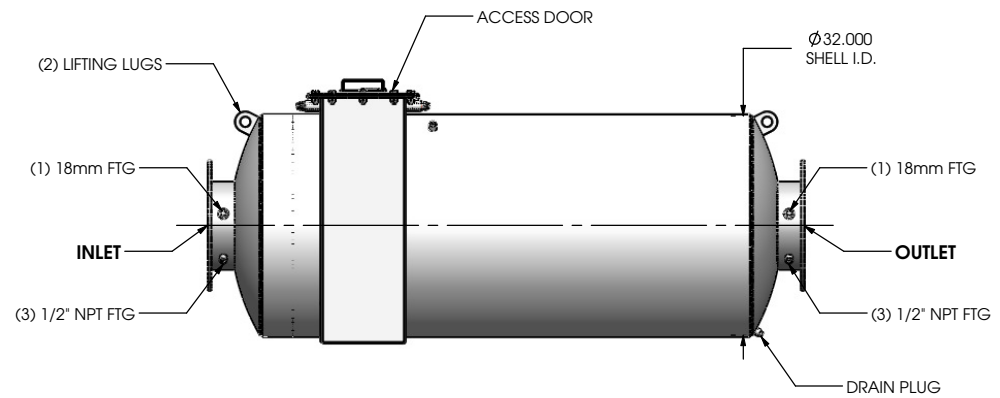
DIMETRIC VIEW



TOP VIEW



FRONT VIEW



RIGHT VIEW

NOTES:

- WEIGHT IS APPROXIMATE WITH (2) ELEMENTS
- THIS EQUIPMENT SHALL BE SUPPORTED SUCH THAT NO MOMENTS OR FORCES ARE ON THE INLET AND OUTLET FLANGES

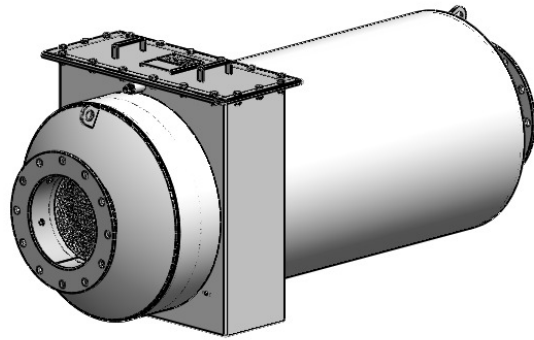
DRAWN	JU	DATE	10/19/2011
ENGINEER	-	DATE	-
APPROVED	-	DATE	-

PROPRIETARY AND CONFIDENTIAL

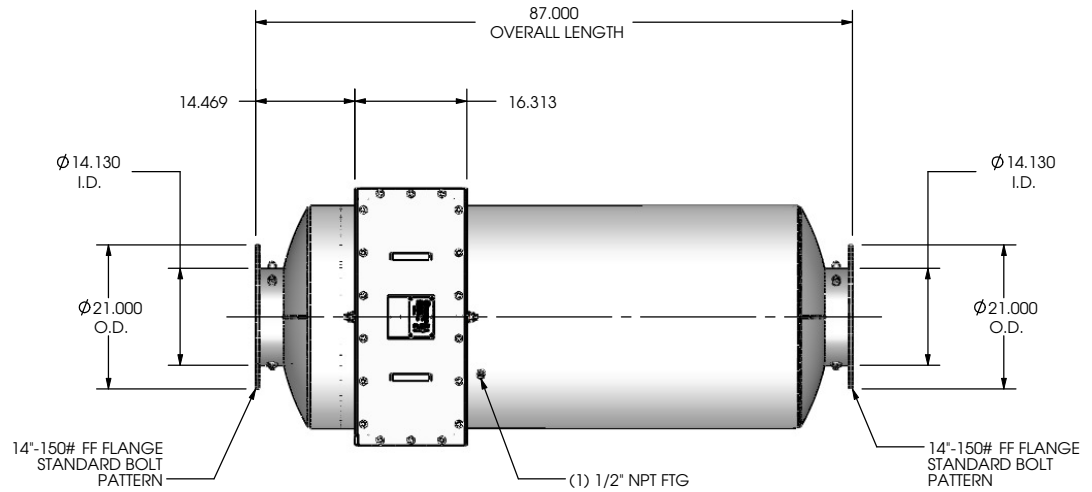
THIS DRAWING CONTAINS PROPRIETARY INFORMATION WHICH IS TO BE HELD CONFIDENTIAL AND MAY NOT BE REPRODUCED OR DISCLOSED TO OTHERS WITHOUT THE PRIOR WRITTEN CONSENT OF EMERACHEM OR A DULY AUTHORIZED REPRESENTATIVE THEREOF.

EmeraChem™

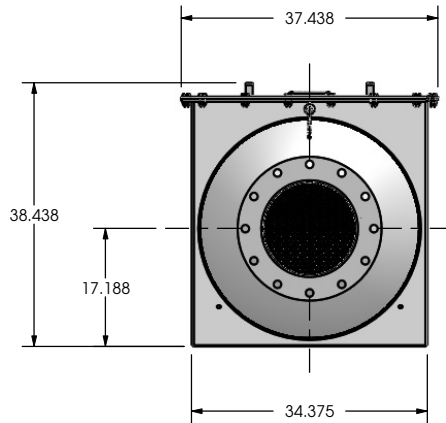
DRAWING	PRX-3025-12-C-XX SD	REV	0
PRX-3025-12-C-XX SALES DRAWING			
WEIGHT: 888 lb APPROX.	SCALE 1:28	SHEET 1 OF 1	



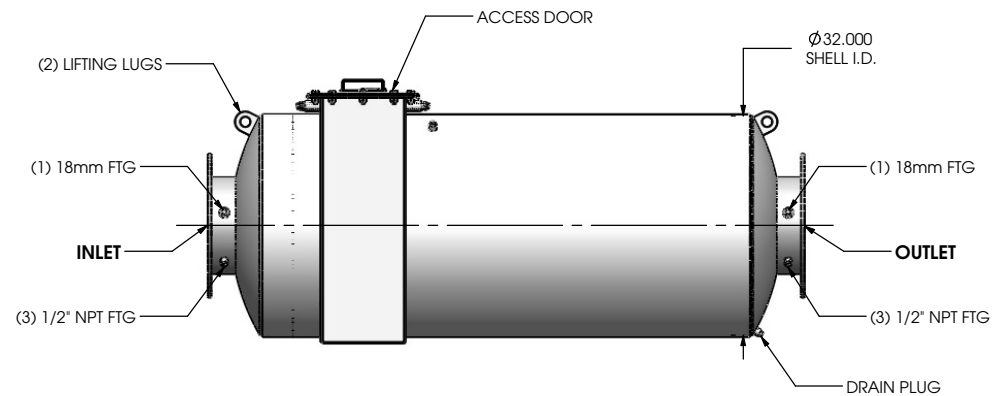
DIMETRIC VIEW



TOP VIEW



FRONT VIEW




RIGHT VIEW

NOTES:

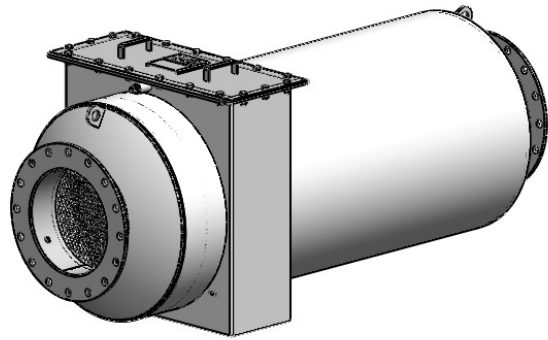
- WEIGHT IS APPROXIMATE WITH (2) ELEMENTS
- THIS EQUIPMENT SHALL BE SUPPORTED SUCH THAT NO MOMENTS OR FORCES ARE ON THE INLET AND OUTLET FLANGES

DRAWN	JU	DATE	10/19/2011
ENGINEER	-	DATE	-
APPROVED	-	DATE	-

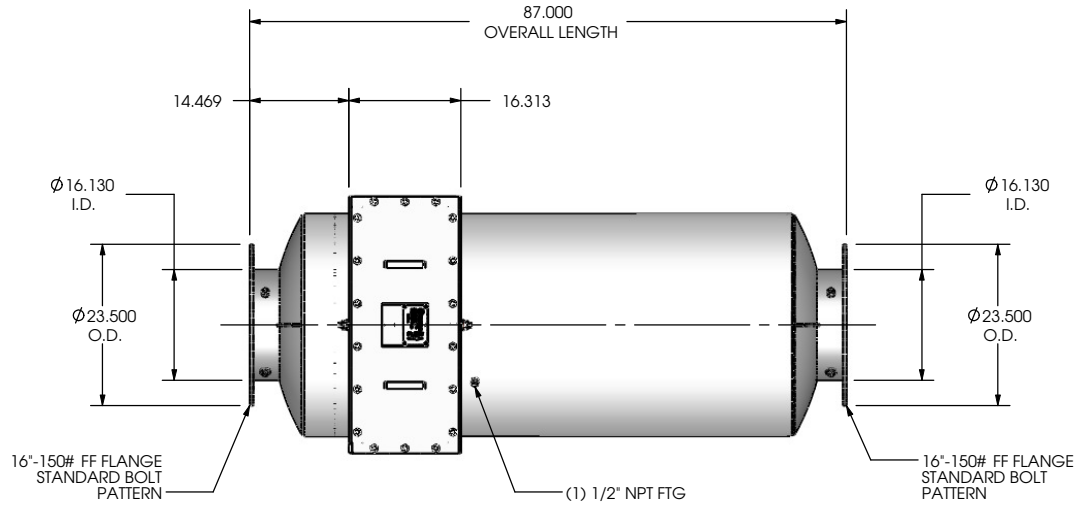
PROPRIETARY AND CONFIDENTIAL
 THIS DRAWING CONTAINS PROPRIETARY INFORMATION WHICH IS TO BE HELD CONFIDENTIAL AND MAY NOT BE REPRODUCED OR DISCLOSED TO OTHERS WITHOUT THE PRIOR WRITTEN CONSENT OF EMERACHEM OR A DULY AUTHORIZED REPRESENTATIVE THEREOF.



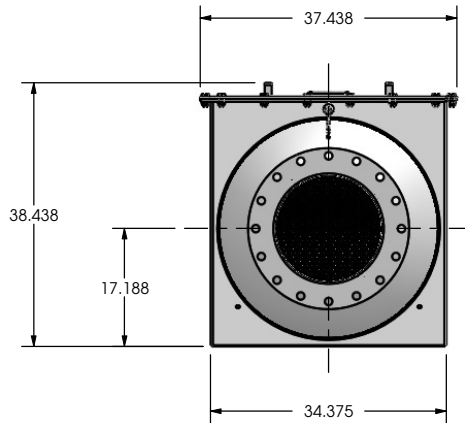
DRAWING PRX-3025-14-C-XX SD		REV 0
PRX-3025-14-C-XX SALES DRAWING		
WEIGHT: 901 lb APPROX.	SCALE 1:28	SHEET 1 OF 1



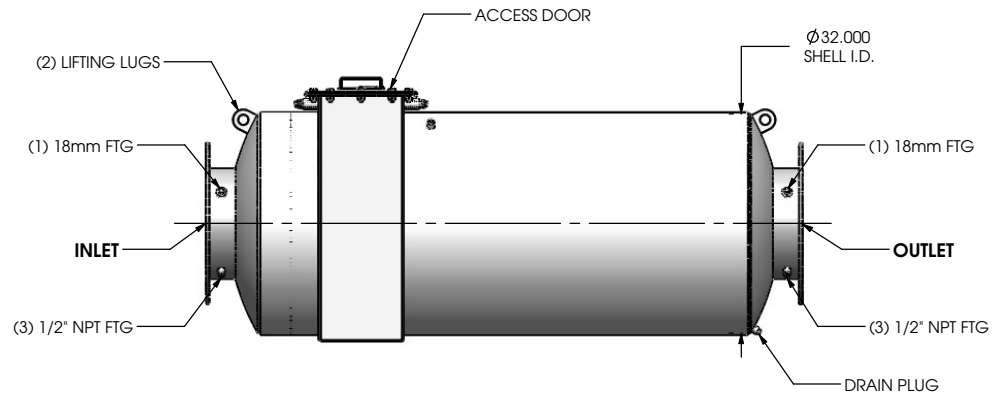
DIMETRIC VIEW



TOP VIEW



FRONT VIEW




RIGHT VIEW

NOTES:

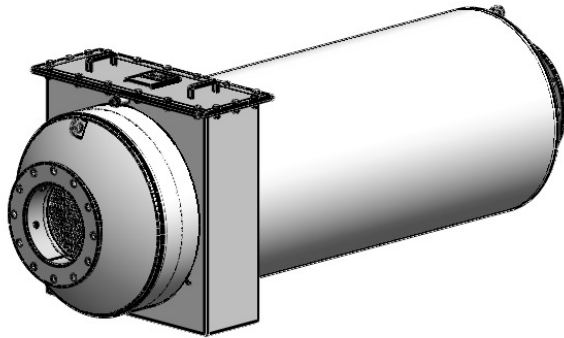
- WEIGHT IS APPROXIMATE WITH (2) ELEMENTS
- THIS EQUIPMENT SHALL BE SUPPORTED SUCH THAT NO MOMENTS OR FORCES ARE ON THE INLET AND OUTLET FLANGES

DRAWN	JU	DATE	10/19/2011
ENGINEER	-	DATE	-
APPROVED	-	DATE	-

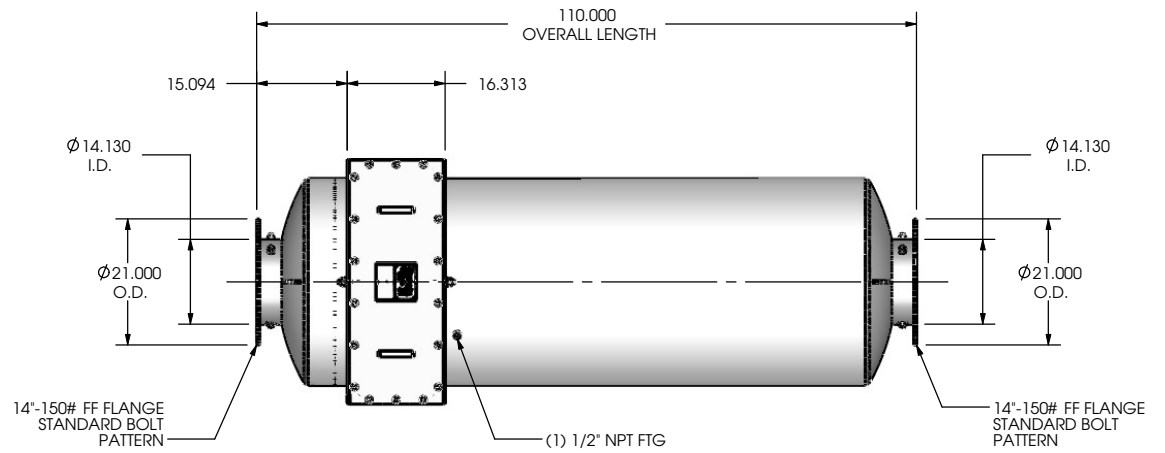
PROPRIETARY AND CONFIDENTIAL
 THIS DRAWING CONTAINS PROPRIETARY INFORMATION WHICH IS TO BE HELD CONFIDENTIAL AND MAY NOT BE REPRODUCED OR DISCLOSED TO OTHERS WITHOUT THE PRIOR WRITTEN CONSENT OF EMERACHEM OR A DULY AUTHORIZED REPRESENTATIVE THEREOF.



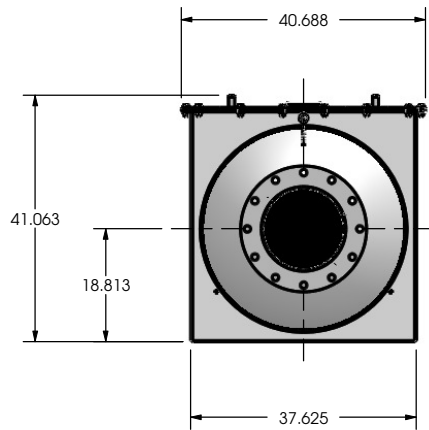
DRAWING PRX-3025-16-C-XX SD		REV 0
PRX-3025-16-C-XX SALES DRAWING		
WEIGHT: 929 lb APPROX.	SCALE 1:28	SHEET 1 OF 1



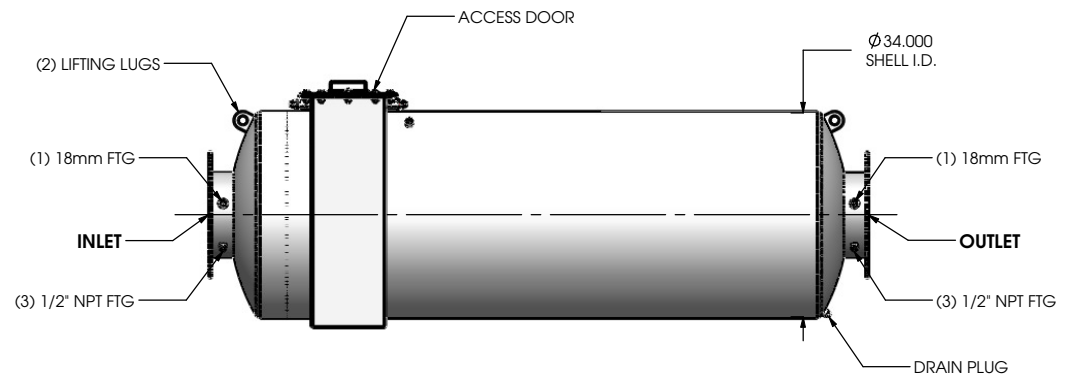
DIMETRIC VIEW



TOP VIEW



FRONT VIEW



RIGHT VIEW

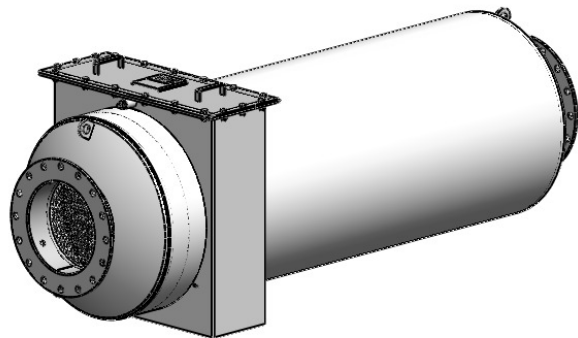
NOTES:

- WEIGHT IS APPROXIMATE WITH (2) ELEMENTS
- THIS EQUIPMENT SHALL BE SUPPORTED SUCH THAT NO MOMENTS OR FORCES ARE ON THE INLET AND OUTLET FLANGES

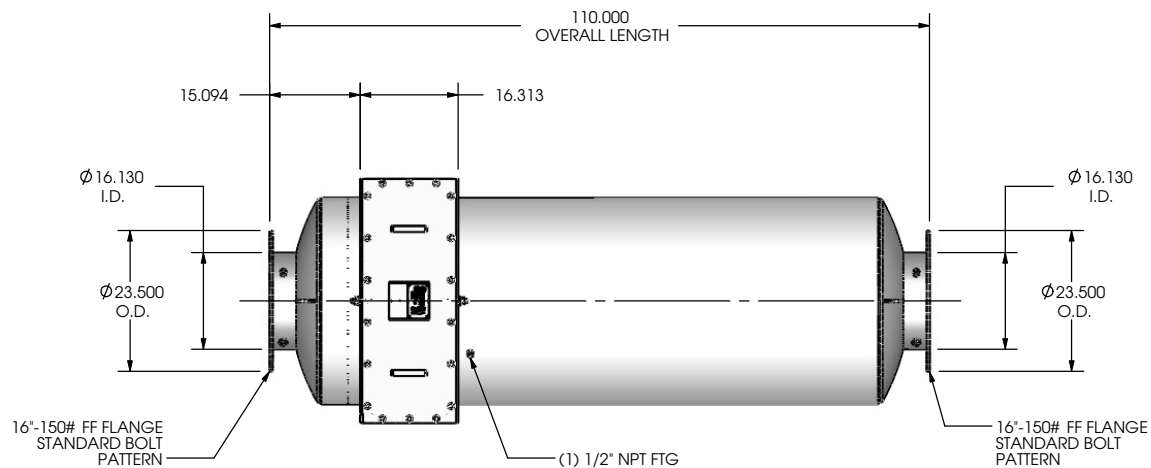
DRAWN	JU	DATE	10/19/2011
ENGINEER	-	DATE	-
APPROVED	-	DATE	-

PROPRIETARY AND CONFIDENTIAL
 THIS DRAWING CONTAINS PROPRIETARY INFORMATION WHICH IS TO BE HELD CONFIDENTIAL AND MAY NOT BE REPRODUCED OR DISCLOSED TO OTHERS WITHOUT THE PRIOR WRITTEN CONSENT OF EMERACHEM OR A DULY AUTHORIZED REPRESENTATIVE THEREOF.

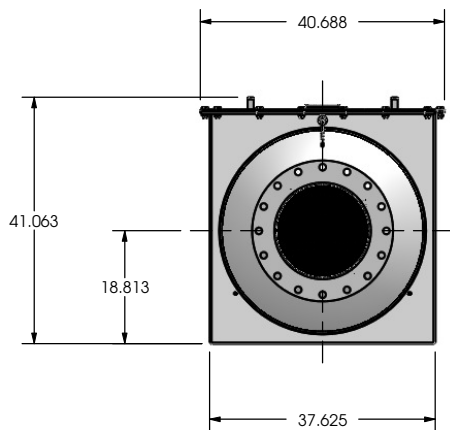
DRAWING	PRX-3350-14-C-XX SD	REV	0
PRX-3350-14-C-XX SALES DRAWING			
WEIGHT: 1104 lb APPROX.	SCALE 1:32	SHEET 1 OF 1	



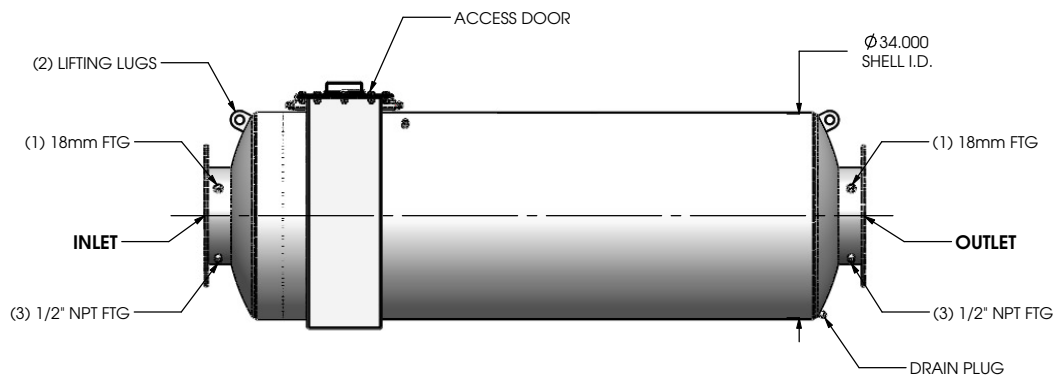
DIMETRIC VIEW



TOP VIEW



FRONT VIEW




RIGHT VIEW

NOTES:

- WEIGHT IS APPROXIMATE WITH (2) ELEMENTS
- THIS EQUIPMENT SHALL BE SUPPORTED SUCH THAT NO MOMENTS OR FORCES ARE ON THE INLET AND OUTLET FLANGES

DRAWN	JU	DATE	10/19/2011
ENGINEER	-	DATE	-
APPROVED	-	DATE	-

PROPRIETARY AND CONFIDENTIAL
 THIS DRAWING CONTAINS PROPRIETARY INFORMATION WHICH IS TO BE HELD CONFIDENTIAL AND MAY NOT BE REPRODUCED OR DISCLOSED TO OTHERS WITHOUT THE PRIOR WRITTEN CONSENT OF EMERACHEM OR A DULY AUTHORIZED REPRESENTATIVE THEREOF.



DRAWING	PRX-3350-16-C-XX SD	REV	0
PRX-3350-16-C-XX SALES DRAWING			
WEIGHT: 1132 lb APPROX.	SCALE 1:32	SHEET 1 OF 1	